



Description

Key equipment of the security communication systems, the Sound-Powered Telephones manufactured by FACTEM are designed to be used in harsh conditions. They work solely with energy generated by the voice (without any battery or power supply). Equipped with FACTEM high efficiency Sound-Powered transducers, this range of products can be installed on board civil and military vessels, submarines, industrial sites, etc. Their rugged build offers excellent resistance to such environments. Designed to be wall-mounted, the single channel station G597V-ED0 includes, a jack plug for external headset and.

Fields of Application

Civil or military ships, submarines, mines, tunnels, industrial workshops, power plants, refineries...

Main Features

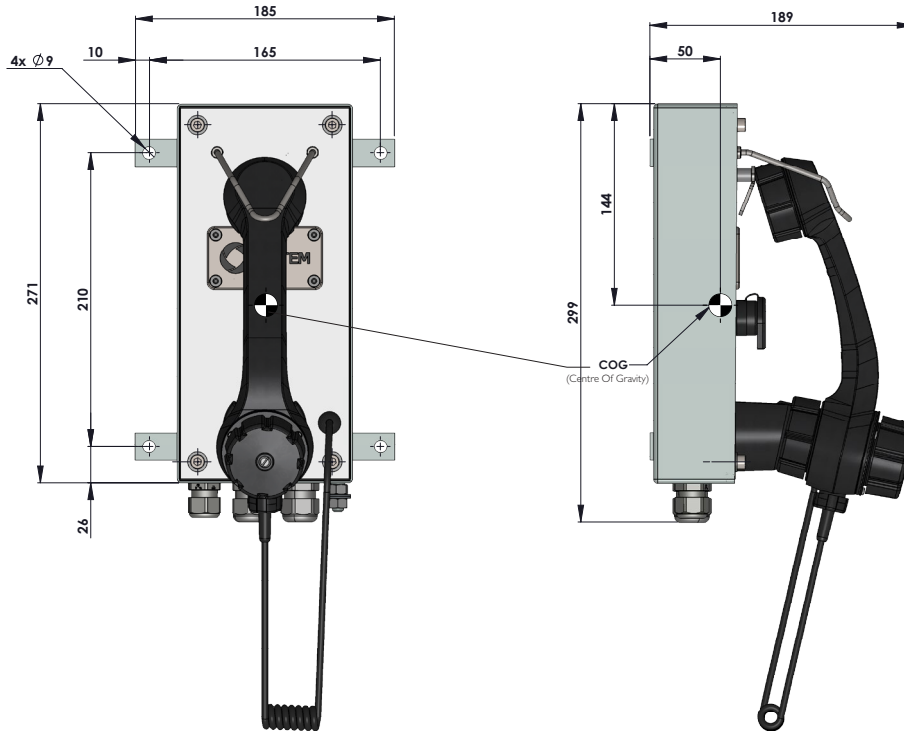
- Sound-Powered Intercom Station – One Channel
- Bulkhead Surface Mount
- Line Release Mechanism at Handset on-hook
- Handset G713
- Front panel jack connector with integrated switches for external headset
- Connection to SPT line : 2 plastic cable glands (for cable diameter 7mm to 13 mm)
- Connection to external relay : 1 plastic cable gland (for cable diameter 5mm to 10mm)
- Details of the coating specification and corrosion protection– Grey Polyurethane paint and cataphoresis powder coated
- Length of the Handset coiled cable (normal position and maximum extension) – 0,77m +/- 5% normal and 3,25m +/- 5% extended
- Material thickness of the socket box – 1,5mm
- Locations of the securing positions of the lid – See dimensions figures
- Material type of the securing positions of the lid - See dimensions figures
- Material thickness of the securing points for the lid - 2,5mm
- Size of the hole for the securing points for the lid and fixing details (size of nuts, bolts, etc...) - See dimensions figures

Environmental Characteristics

- Operating temperature: -20°C to +55°C
- Shock resistance: NF EN60068-2-27
- Vibrations: NF EN60068-2-6
- Dry heat: NF EN60068-2-2
- Damp heat: NF EN60068-2-78
- Protection rating: IP54

Dimensions and weight

- Overall dimensions: 185 mm x 316 mm x 189 mm



Weight : : 2,914 Kg

Connection board

- The Interconnection to the SPT line is performed through a connection board located in the rear side of the front panel.

